

Preparation is essential and early planning is advised. Review all instructions before beginning the installation process. **Additional tools required: tape measure, variable speed drill, 1" drill bit, 7/16" nut driver and plywood panel(s).**

Hardware Installation

Instructions for typical wood trim application.

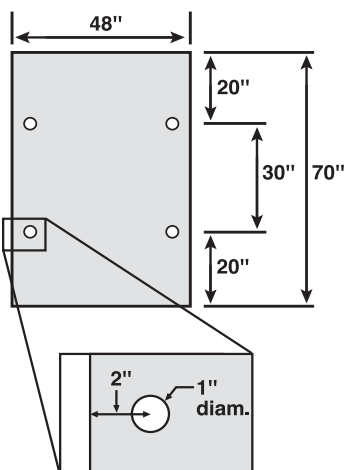
1. Place plywood over window/door ensuring that the sheet completely covers window/door and its frame.
2. On the panel, locate and mark center of 1" holes at four points according to the spacing requirements provided. The center of the 1" hole must not be less than 2" from the edge of the panel (Fig. 1). These locations must provide for solid penetration (minimum 2 1/2") by the anchors into the structural framing.
3. Drill 1" holes at each of four marked locations in plywood sheet.
4. Place plywood back over window/door to locate anchor placement. Be sure to mark location at the top center of the holes.
5. Insert a 1/4" lag using a 7/16" nut driver until head protrudes 3/4".
6. Hang the plywood panel over the lags. Position PlyFASTner Plus over the lag heads and slide each of the four PlyFASTner Plus into place (Fig. 2 & 3). Adjust the depth of the lag with the nut driver, if needed so that the system is tight and there is approximately 1/8" space between the lag head and PlyFASTner Plus. (Fig. 4)

Spacing Requirements

- A. When the panel span is 48" or less, the anchor spacing cannot exceed 30" center to center. The distance from the bottom (or top) of the sheet to the first anchor cannot exceed 20".
- B. When the panel span exceeds 48" in width, the anchor spacing cannot exceed 15" center to center. The distance from the bottom (or top) of the sheet to the first anchor cannot exceed 9".

Fig. 1 Prepare hardware and panels per opening size

A. Single 48"x70" panel protects standard openings



B. Two 96"x48" panels protects larger openings

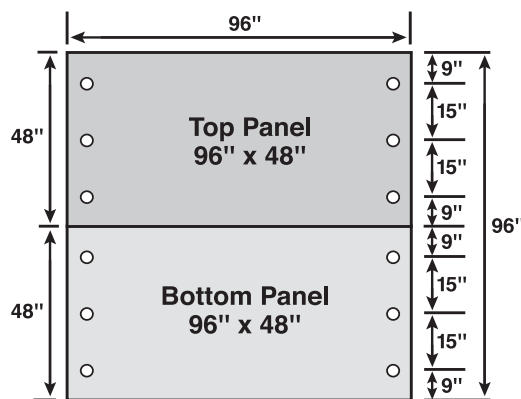


Fig. 2 Secure plywood panel with PlyFASTner Plus

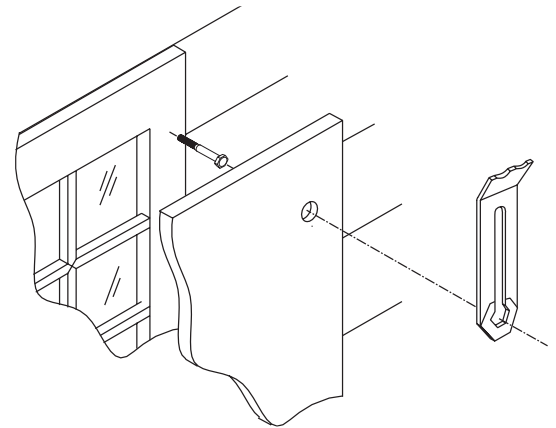


Fig. 3 PlyFASTner Plus & plywood panel in place

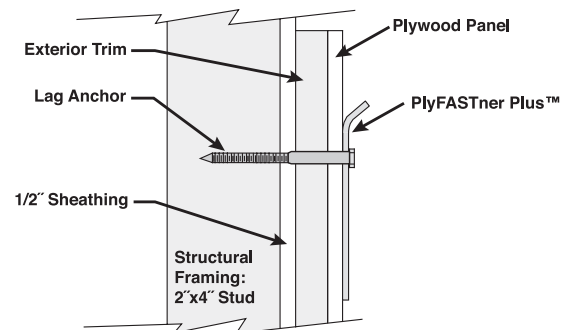
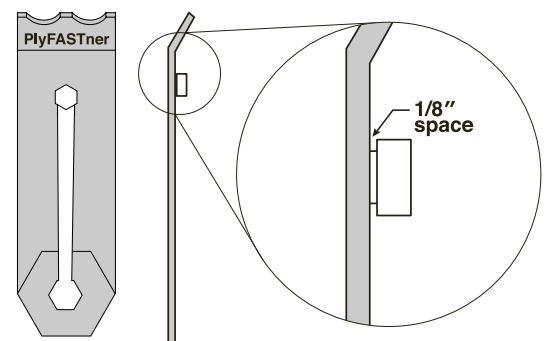


Fig. 4 Adjust depth of lag





Stow & Deploy™ Lag

Repeatedly stowing and deploying the lag will not adversely affect the embedment strength of the lag.

- After hardware installation, stow the lag by inserting the lag until the lag head touches the surface.
- Prior to hanging the panel, deploy the lag using a 7/16" nut driver so that the lag head protrudes 3/4" from the surface of the window casing, or 8 counterclockwise revolutions.
- When the storm has passed, remove PlyFASTner Plus and plywood. Stow the lag until needed.

Caution: If longer 1/4" lags are used, check that the lag point does not penetrate the interior finish of the wall when stowed.



3-Step Panel Installation

Quickly and easily secure windows and doors when adverse weather threatens.

- 1 Deploy the lag bolts.
- 2 Hang plywood panel over bolts.
- 3 Secure plywood by placing PlyFASTner Plus over bolts; slide down to secure.



Additional Suggestions for Installation

- Various lag bolt lengths may be used for different window applications. Always ensure the lag is embedded in the window framing.
- For masonry construction, lag must be embedded in epoxy by 3"
- Predetermine dimensions of window/door and have plywood supplier cut to order.
- If you prefer to cut plywood, use carbide or fine tooth circular saw blade for smoother edges with fewer splinters. You may cut several panels at a time if you have multiple windows/doors with the same dimensions.
- Paint or seal the plywood sheets to ensure that they are properly preserved and will be ready to use year after year.
- Label your various plywood sheets with location of the window/door on your home for quicker and easier installation.
- Store plywood in a dry place out of rain or direct sunlight.

PlyFASTner Plus™ Advanced Hurricane Protection System is versatile and adaptable to fit a variety of building substrates including wood, vinyl siding, HardieTrim, stucco, brick veneer & concrete block. Contact PlyFASTner Technical Support at 843.766.8199 for additional assistance.

PlyFASTner.com

Evaluation report certifies code compliance
Meets SSTD 12-99 as per ASTM E 1886-97
Meets International Building Code requirements
Meets Florida Building Code requirements
Florida product approval - FL13531



PlyFASTner Plus™

ADVANCED HURRICANE PROTECTION SYSTEM
843.766.8199 • info@plyfastner.com
plyfastner.com

PlyFASTner LLC is not responsible for any personal or property damage due to adverse weather.