

Preparation is essential and early planning is advised. Review all instructions before beginning the installation process. **Additional tools required: tape measure, variable speed drill, 1" drill bit, 7/16" nut driver and plywood panel(s).**

Hardware Installation

Instructions for typical wood trim application.

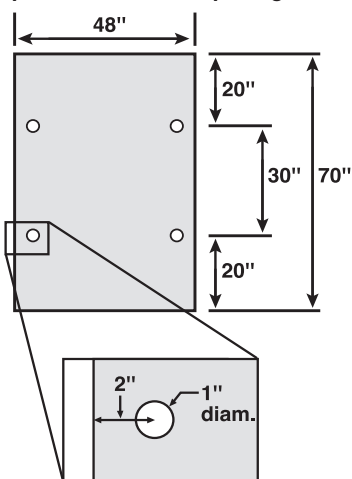
1. Place plywood over window/door ensuring that the sheet completely covers window/door and its frame.
2. On the panel, locate and mark center of 1" holes at four points according to the spacing requirements provided. The center of the 1" hole must not be less than 2" from the edge of the panel (Fig. 1). These locations must provide for solid penetration (minimum 2 1/2") by the anchors into the structural framing.
3. Drill 1" holes at each of four marked locations in plywood sheet.
4. Place plywood back over window/door to locate anchor placement. Be sure to mark location at the top center of the holes.
5. Insert a 1/4" lag using a 7/16" nut driver until head protrudes 3/4".
6. Hang the plywood panel over the lags. Position PlyFASTner Plus[®] bracket over the lag heads and slide each of the four PlyFASTner Plus[®] brackets into place (Fig. 2 & 3). Adjust the depth of the lag with the nut driver, if needed so that the system is tight and there is approximately 1/8" space between the lag head and the PlyFASTner Plus[®] brackets. (Fig. 4)

Spacing Requirements

- A. When the panel span is 48" or less, the anchor spacing cannot exceed 30" center to center. The distance from the bottom (or top) of the sheet to the first anchor cannot exceed 20".
- B. When the panel span exceeds 48" in width, the anchor spacing cannot exceed 15" center to center. The distance from the bottom (or top) of the sheet to the first anchor cannot exceed 9".

Fig. 1 Prepare hardware and panels per opening size

A. Single 48"x70" panel protects standard openings



B. Two 96"x48" panels protects larger openings

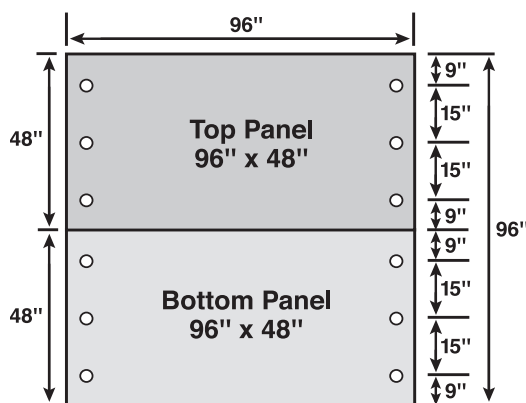


Fig. 2 Secure plywood panel with PlyFASTner Plus[®] brackets.

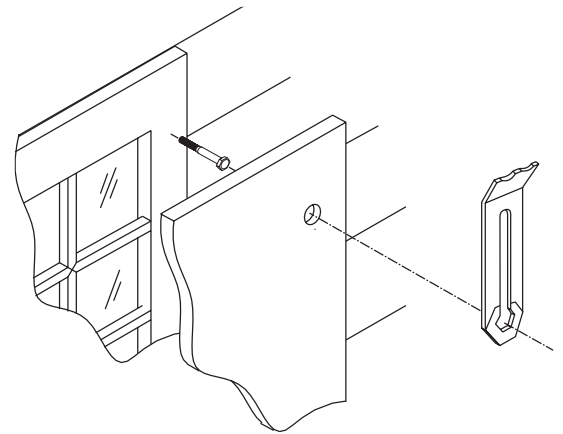


Fig. 3 PlyFASTner Plus[®] bracket & plywood panel in place

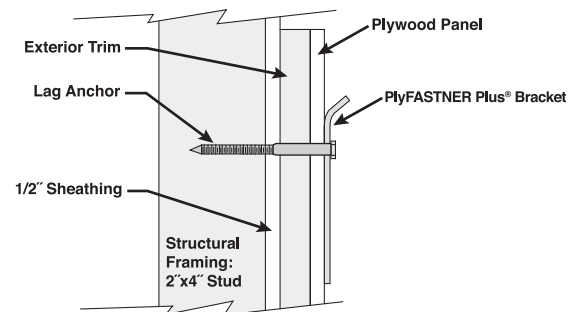
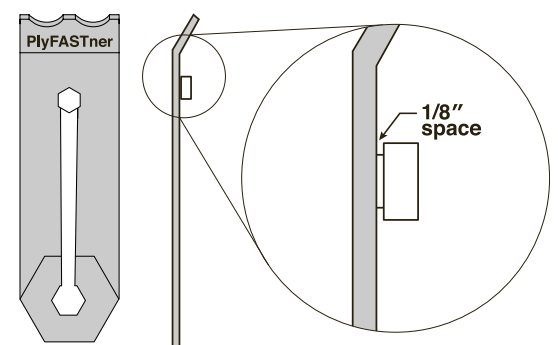


Fig. 4 Adjust depth of lag





Stow & Deploy® Anchor

Repeatedly stowing and deploying the anchor (lag bolt) will not adversely affect the embedment strength of the anchor.

- After hardware installation, stow each anchor by inserting it using a 7/16" nut driver until the anchor head touches the surface.
- Prior to hanging the panel, deploy the anchors, again using a 7/16" nut driver, so that the anchor heads protrude 3/4" from the surface of the window casing, or 8 counterclockwise revolutions.
- When the storm has passed, remove PlyFASTner Plus® brackets and plywood. Stow the anchors until needed.

Caution: If longer anchors are used, they must be 1/4" in diameter and you must be sure that the anchor point does not penetrate the interior finish of the wall when stowed.



3-Step Panel Installation

Quickly and easily secure windows and doors when adverse weather threatens.

- 1 Deploy the anchors.
- 2 Hang plywood panel over anchors.
- 3 Secure plywood by placing PlyFASTner Plus® brackets over anchors; slide down to secure.



Additional Suggestions for Installation

- Various anchor bolt lengths may be used for different window applications. Always ensure the anchor is embedded in the window framing.
- For masonry construction, anchor must be embedded in epoxy by 3"
- Predetermine dimensions of window/door and have plywood supplier cut to order.
- If you prefer to cut plywood, use carbide or fine tooth circular saw blade for smoother edges with fewer splinters. You may cut several panels at a time if you have multiple windows/doors with the same dimensions.
- Paint or seal the plywood sheets to ensure that they are properly preserved and will be ready to use year after year.
- Label your various plywood sheets with location of the window/door on your home for quicker and easier installation.
- Store plywood in a dry place that is protected from rain or direct sunlight.

The PlyFASTner Plus® Advanced Hurricane Protection System is versatile and adaptable to fit a variety of building substrates including wood, vinyl siding, HardieTrim, stucco, brick veneer & concrete block. Contact PlyFASTner Technical Support at 843-766-8199 for additional assistance.

PlyFASTner.com

Evaluation report certifies code compliance
Meets SSTD 12-99 as per ASTM E 1886-97
Meets International Building Code requirements
Meets Florida Building Code requirements
Florida product approval - FL13531

PlyFASTner LLC is not responsible for any personal or property damage due to adverse weather.

 **PlyFASTner Plus**®
ADVANCED HURRICANE PROTECTION SYSTEM
843-766-8199 • info@plyfastner.com
plyfastner.com