

Preparation is essential and early planning is advised. Review all instructions before beginning the installation process.

**Additional tools required:** tape measure, variable speed drill, 1" drill bit, 1/2" masonry drill bit, 5/16" masonry drill bit and plywood panel(s).

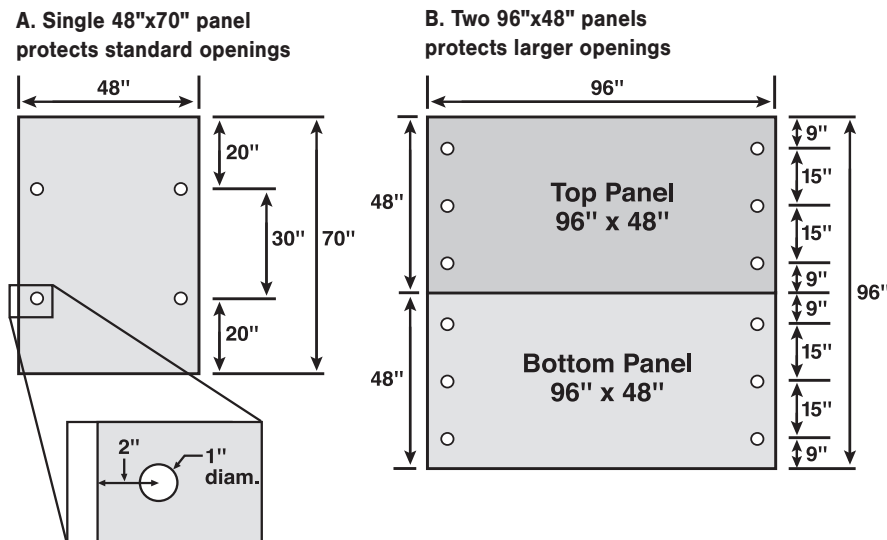
## Hardware Installation for Block Wall (CMU)

- Place plywood over window/door lying flat on block wall face, ensuring that the sheet completely covers window/door and its frame by 4" on each side.
- On the panel, locate and mark center of 1" holes at four points according to the spacing requirements provided. The center of the 1" hole must be at least 2" from the edge of the sheet (Fig. 1). These locations must provide for solid penetration by the anchors into a solid grout-filled cell.
- Drill 1" holes at each of four marked locations in plywood panel.
- Place plywood back over window/door to locate anchor placement. Be sure to mark location at the top center of the holes.
- Drill a 5/16" diameter hole 4 3/4" deep and 1/2" diameter hole 1 1/4" deep into block, using masonry bits. Clean dust out of hole: blow, brush, blow. (Fig. 2)
- Inject 3 inches of structural epoxy (Powers AC 5.5 Plus from [www.powers.com](http://www.powers.com)) into bottom of hole. Push in anchor with fully inserted removable 1 1/2" bolt. Bolt head must protrude 1 1/8" measured from the underside of the bolt to the surface of the block using 1/2" minimum thickness plywood.
- Hang the plywood panel over the anchors. Position PlyFASTner Plus® brackets over the anchor heads and slide each bracket into place (Fig. 3). Adjust the depth of the anchor by hand while the epoxy is wet, if needed, so that the system is tight and there is approximately 1/8" space between the anchor head and the PlyFASTner Plus® brackets. (Fig. 4)
- Remove plywood and bolts and insert plugs.

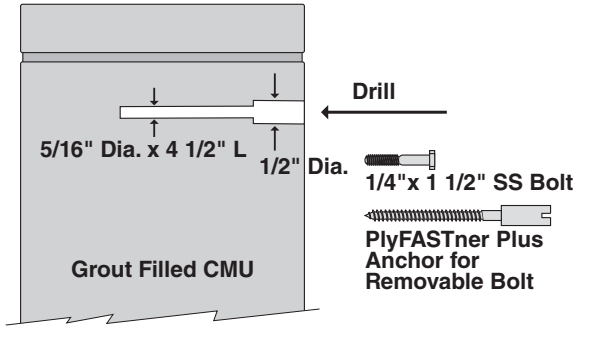
## Spacing Requirements

- When the panel span is 48" or less, the anchor spacing cannot exceed 30" center to center. The distance from the bottom (or top) of the sheet to the first anchor cannot exceed 20".
- When the panel span exceeds 48" in width, the anchor spacing cannot exceed 15" center to center. The distance from the bottom (or top) of the sheet to the first anchor cannot exceed 9".

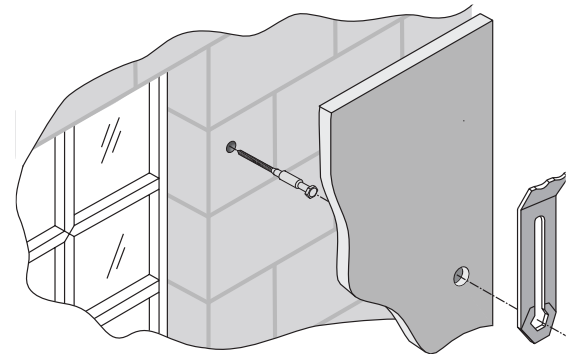
**Fig. 1** Prepare hardware and panels per opening size



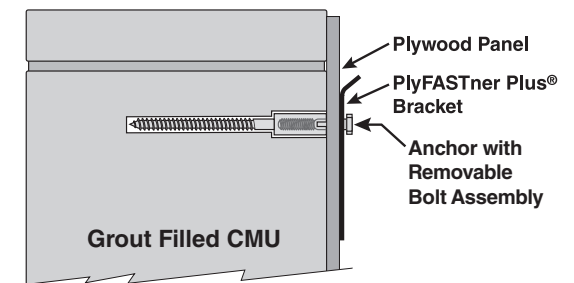
**Fig. 2** Drill holes to accept PlyFASTner Plus Anchor and Bolt assembly.



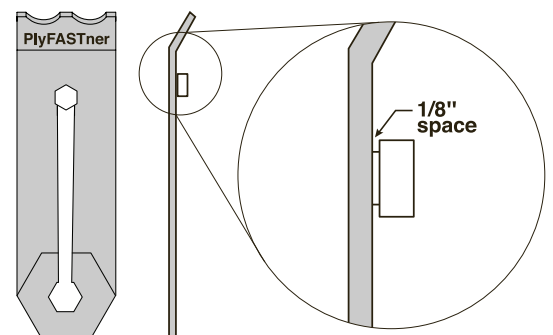
**Fig. 3** Secure plywood panel with PlyFASTner Plus® brackets.



**Fig. 4** PlyFASTner Plus® bracket & plywood panel in place



**Fig. 5** Adjust depth of lag.



## 3-Step Panel Installation

Quickly and easily secure windows and doors when adverse weather threatens.

- 1 Remove plugs and thread bolts into anchors.
- 2 Hang plywood panel over anchors with protruding removable bolt.
- 3 Secure plywood by placing PlyFASTner Plus® brackets over anchors; slide down to secure.



## Additional Suggestions for Installation

- Various anchor bolt lengths may be used for different window applications.
- For masonry construction, flush anchors must be embedded in epoxy by 3". It is not recommended to use this method for anchoring in brick veneer.
- Predetermine dimensions of window/door and have plywood supplier cut to order.
- If you prefer to cut plywood, use carbide or fine tooth circular saw blade for smoother edges with fewer splinters. You may cut several panels at a time if you have multiple windows/doors with the same dimensions.
- Paint or seal the plywood sheets to ensure that they are properly preserved and will be ready to use year after year.
- Label your various plywood sheets with location of the window/door on your home for quicker and easier installation.
- Store plywood in a dry place that is protected from rain or direct sunlight.

---

The patented PlyFASTner Plus® System provides a quick method of attaching a plywood protection system to windows and doors to protect structures from wind-borne debris damage.

The System is versatile and adaptable to fit a variety of building substrates including wood, vinyl siding, HardieTrim, stucco, brick veneer & concrete block. Contact PlyFASTner Technical Support at 843-766-8199 for additional assistance.

---

## PlyFASTner.com

Evaluation report certifies code compliance  
Meets ASTM E 1886/1996, ASTM E 330, SSTD 12  
Meets International Residential Code requirements  
Meets Florida Building Code requirements (FL13531)  
Meets Texas Department of Insurance requirements

---

PlyFASTner LLC is not responsible for any personal or property damage due to adverse weather.

 **PlyFASTner Plus**®  
ADVANCED HURRICANE PROTECTION SYSTEM  
843-766-8199 • info@plyfastner.com  
plyfastner.com